

# Technical part

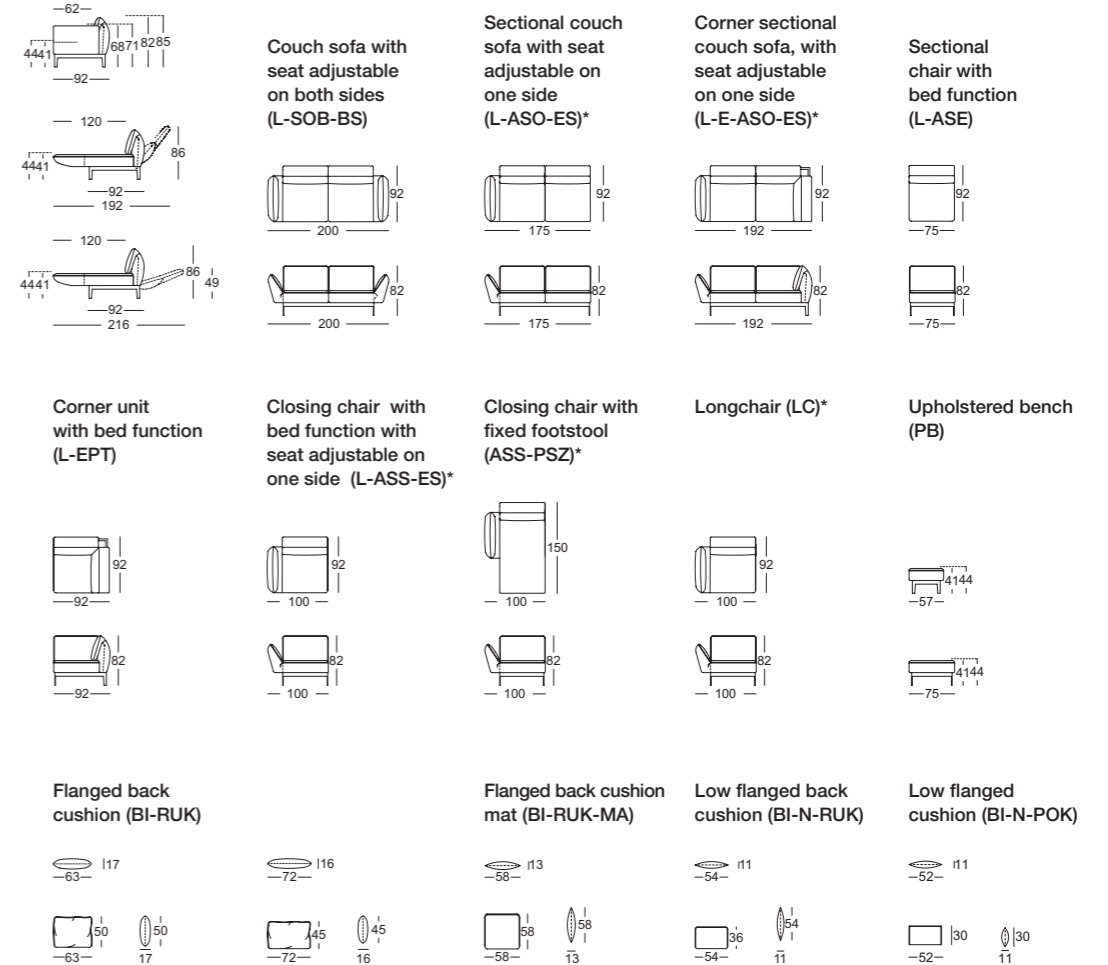
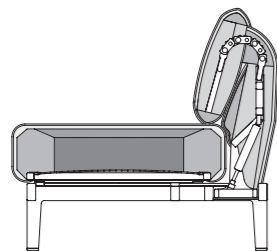


- // Seat with metal inner frame and integrated rotary function
- // Nosag spring support
- // Seat made from polyurethane foam, constructed in layers of different thicknesses and firmnesses, matched to one another, and covered with polyester fleece
- // Backrest with metal inner frame and integrated adjustment function
- // Back in polyurethane foam, built up in coordinated layers, varying in height, and firmness
- // Cover quilted underneath with non-woven polyester

- // Frame metal optionally:
  - › Fine-grain steel, powdercoated, matt:
    - Silver
    - RAL 9017 Traffic black
    - RAL 7022 Umbra grey
  - › Steel high-gloss chrome (against surcharge)
- // Seat height options 41 cm or 44 cm
- ! Due to the way the furniture is designed, and its comfort level, some wrinkles and sitting pressure indentations are inevitable, even in top quality Rolf Benz upholstered furniture. All dimensions are approximate.

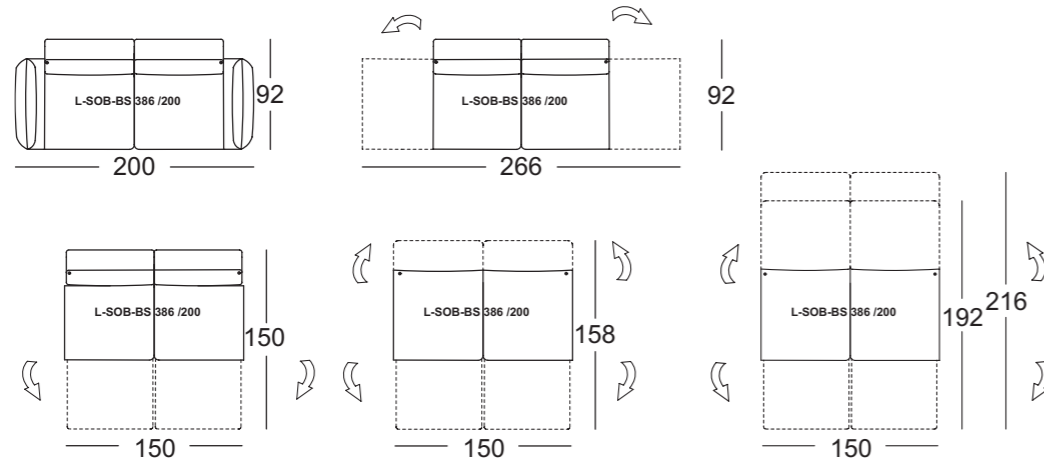


Seat heights available



\*These elements are only shown in the left version. They are also available in the right version.

## Functions



### // Seat adjustment:

› The following models are fitted with swivel function so that when the armrest is folded down, a seat with leg rest is created to the front:

- L-SOB-BS – both sides
- L-ASO-ES – always on the outer side
- L-E-ASO-ES
- L-ASS-ES
- LC

› These models do not have a swivel function:

- ASS-PSZ
- L-ASE
- L-EPT

### // Backrest adjustment:

› The backrest upholstery can be adjusted in two ways: The backrest can be adjusted by means of a friction mechanism from an initial height of 68 cm to a final height of

112 cm. The backrest can also be adjusted steplessly by approx. 30° to a relax position. The reclining version is available for an additional charge. The back can be adjusted from an upright position to a reclining position. Only one backrest adjustment version can be selected within a model.

### // Adjustment of side part:

The side part can be folded down to a horizontal position by means of a detent mechanism. This adds approx. 33 cm in width to each side part.

## Matching



Rolf Benz 948



Rolf Benz 973

### // Dimensions:

Total height 63 cm,  
Height table top 49 cm: Ø 44 cm

### // Table top and Frame:

Solid wood, clear varnish: oak, oak black pigmented or American walnut

### // Dimensions:

Height 45 cm: 40 cm (round)

### // Table top:

Smooth steel, powder-coated, matt (sheet steel 3 mm):

- RAL 7011 iron grey
- RAL 8019 grey brown
- RAL 9003 signal white
- RAL 1020 olive yellow
- RAL 5020 ocean blue
- RAL 9017 traffic black
- RAL 7022 umbra grey
- RAL 7001 silver grey
- RAL 5003 Sapphire blue
- RAL 3012 beige red

### // Strap:

Butt leather, dark brown

### // Frame:

Solid wood, clear varnish: oak, oak black pigmented or American walnut